



Drilling Equipment Manufacturers Australia

"A MANGROUP Company"

GT-10

DRILLMAN GEOTECH GT-10

With our in-house engineering and extensive history in design and build of drill rigs we can customise any part of the build to suit your specific requirements. Below is our base specification to get you started but please contact us if you have specific requirements and we will include in the design of your next drilling rig.

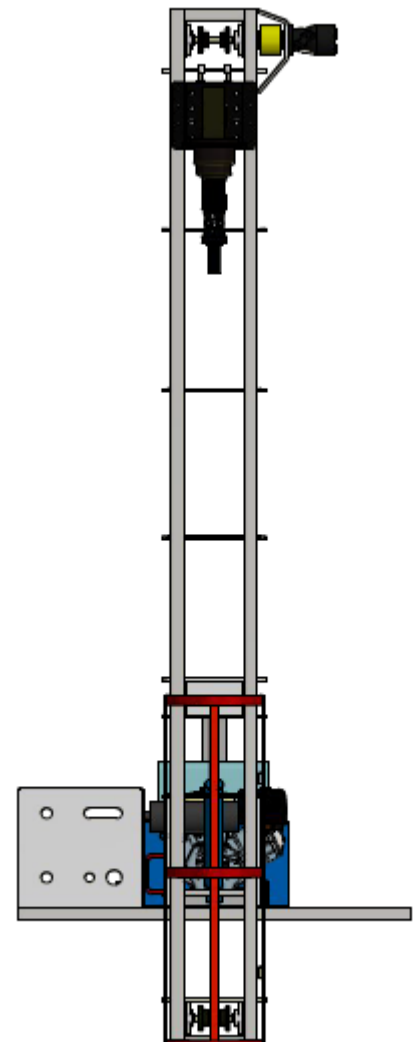
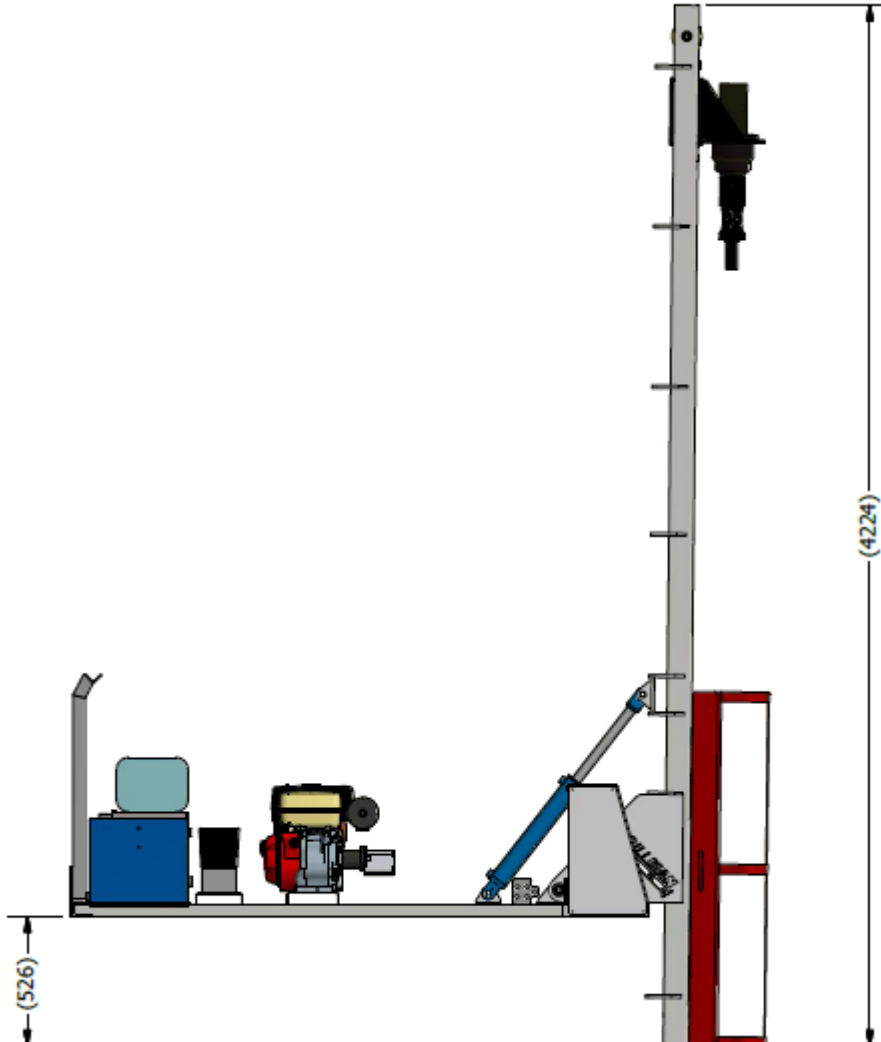
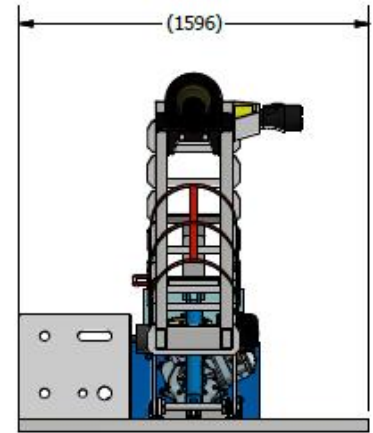
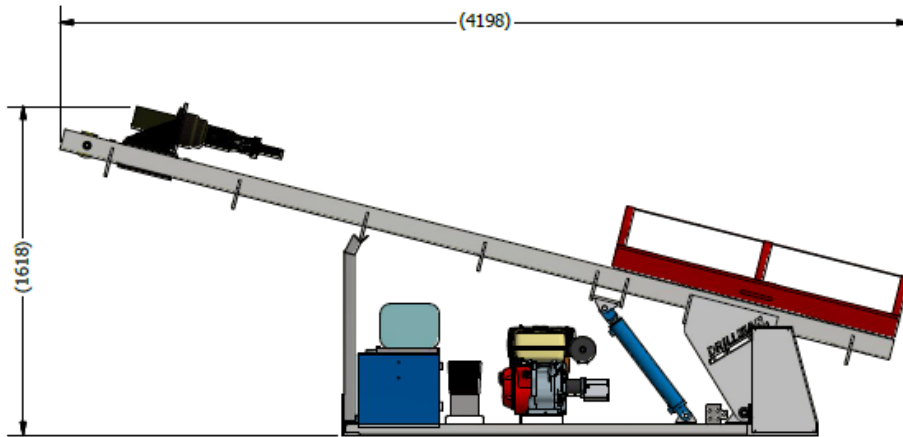
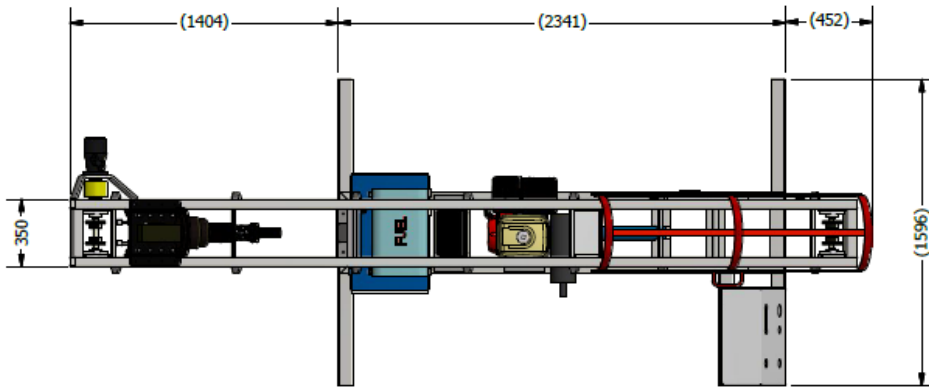


RIG SPECIFICATION

Item	Description
Rated Depth	<ul style="list-style-type: none"> Auger: 10m at 150mm Diameter Nominal, Dependant on operating conditions
Drill Mast	<ul style="list-style-type: none"> 3.1 meter rod pull capacity Mast Raise Cylinder for tilting the mast to fold down the rig when in transit Pivot point designed with minimal rear overhang.
Engine and Hydraulics	<ul style="list-style-type: none"> GX690 Honda 27hp electric start petrol engine with direct. Quality hydraulic pumps and motors operating at 180 Bar Hydraulic Oil Tank with oil filtration 25L fuel tank / 60L Oil Tank Tacho and Shutdown protection - High Engine Temperature, Low Oil Pressure Enclosed 12V Battery
Rotation Head	<ul style="list-style-type: none"> Planetary drive hydraulic drill head, approx. 1400NM @ 100RPM with 2 inch round output shaft 90deg universal joint sub adapter included 2" – 1 1/8 Hex
Pull Down / Pull Out	<ul style="list-style-type: none"> Direct drive motor to chain and rollers Manually operated lever for UP and DOWN Pull out / down capacity 1,400 kgs
Control Panel	<ul style="list-style-type: none"> Pressure gauge on control panel for calculating either auger torque or feed pressure.
Base Frame	<ul style="list-style-type: none"> High quality, high strength, low weight 2 rear Heavy duty custom stabiliser cylinders for raising the rear of the vehicle or trailer (to be custom fitted into the frame of a trailer or vehicle tray)
Quality	<ul style="list-style-type: none"> Documentation, full build compliance and operation manuals.
Safety	<ul style="list-style-type: none"> Rod Spin cage as standard



GT-10





Drilling Equipment Manufacturers Australia

GT-10

AVAILABLE EXTRA'S

Trailer Mounted Skid Mounted Other	With our in-house engineering and extensive history in design and build of Drill rigs we can customise any part of the build to suit your specific requirements.
Drillman Automatic SPT Hammer	<ul style="list-style-type: none"> • Either fixed mounted or independently operated.
Toolboxes,	<ul style="list-style-type: none"> • Maximum amount of toolbox space possible – dictated by final layout of rig components
Other	<ul style="list-style-type: none"> • Diesel motor (Upgrade to GT20) • Rod spin cage safety interlocks • Hydraulic hose burst protection • Auger racks. • Custom trays to fit drill rigs – mine spec available • Non-destructive testing on mast, mast-dump and A-frame • Engine isolation switch, Jump start receptacles • J1 Cert, Body mount compliance and documentation supplied for QLD Reg



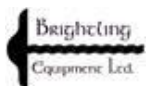
Drilling Equipment Manufacturers Australia Pty Ltd
ABN 52 165 530 352

38 Piper Street, Caboolture, Qld, 4510

+61 7 5432 43 43

sales@drillman.com.au

www.drillman.com.au



- Rig Service
- Rig Rebuilds
- New Rigs



- Mine Spec Upgrades
- Drill Rig Components
- Ancillary Drilling Equipment



- Fire Suppression
- 3rd Party Safety Inspections
- Foundation & Piling



- Oil & Gas
- Mineral
- Geotechnical