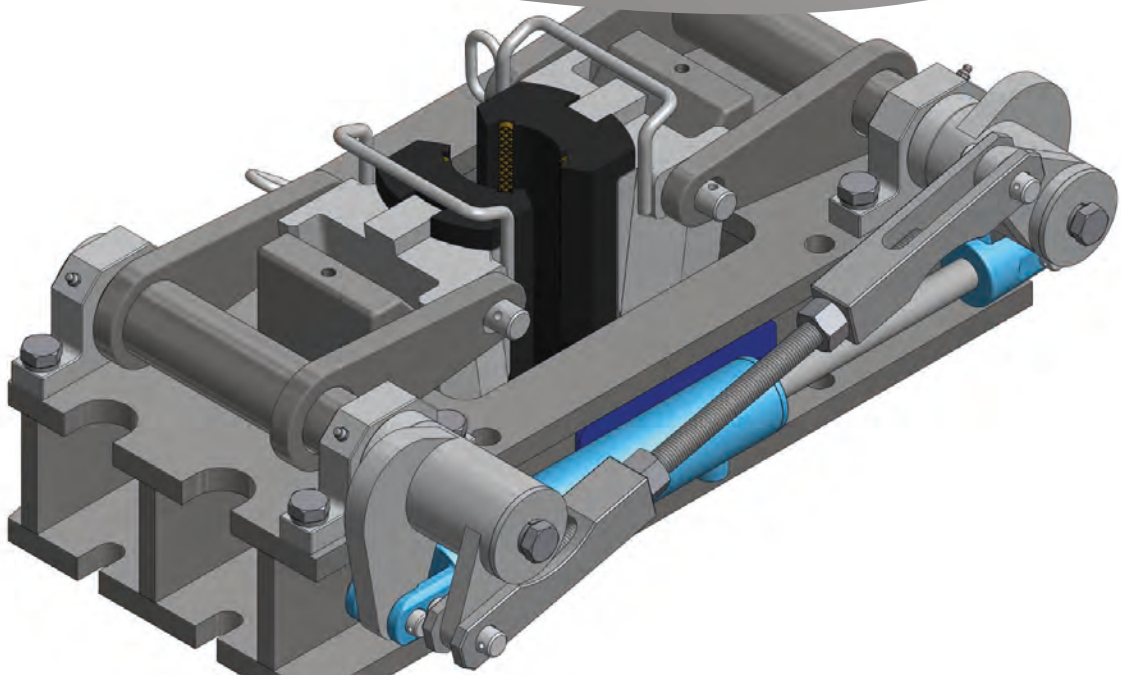


# DRILLMAN



*Drilling Equipment Manufacturers Australia*



## Hydraulic Foot Clamp Features

- Fabricated steel base frame for greater strength.
- Body Orifice - 9 inch's.
- Fabricated lever arms - no castings.
- Adjustable connecting rod with Left & Right hand threads to allow accurate adjustment of jaw actuation.
- Machined Jaw assemblies to suit most standard drill rod sizes.
- Easily replaceable Inserts for NQ & HQ jaw sizes.
- RC Slips Table, RC Slips holders and Inserts to suit 3 1/2", 4" & 4 1/2" rod sizes.
- Inter changeable with industry standard rod clamps.